

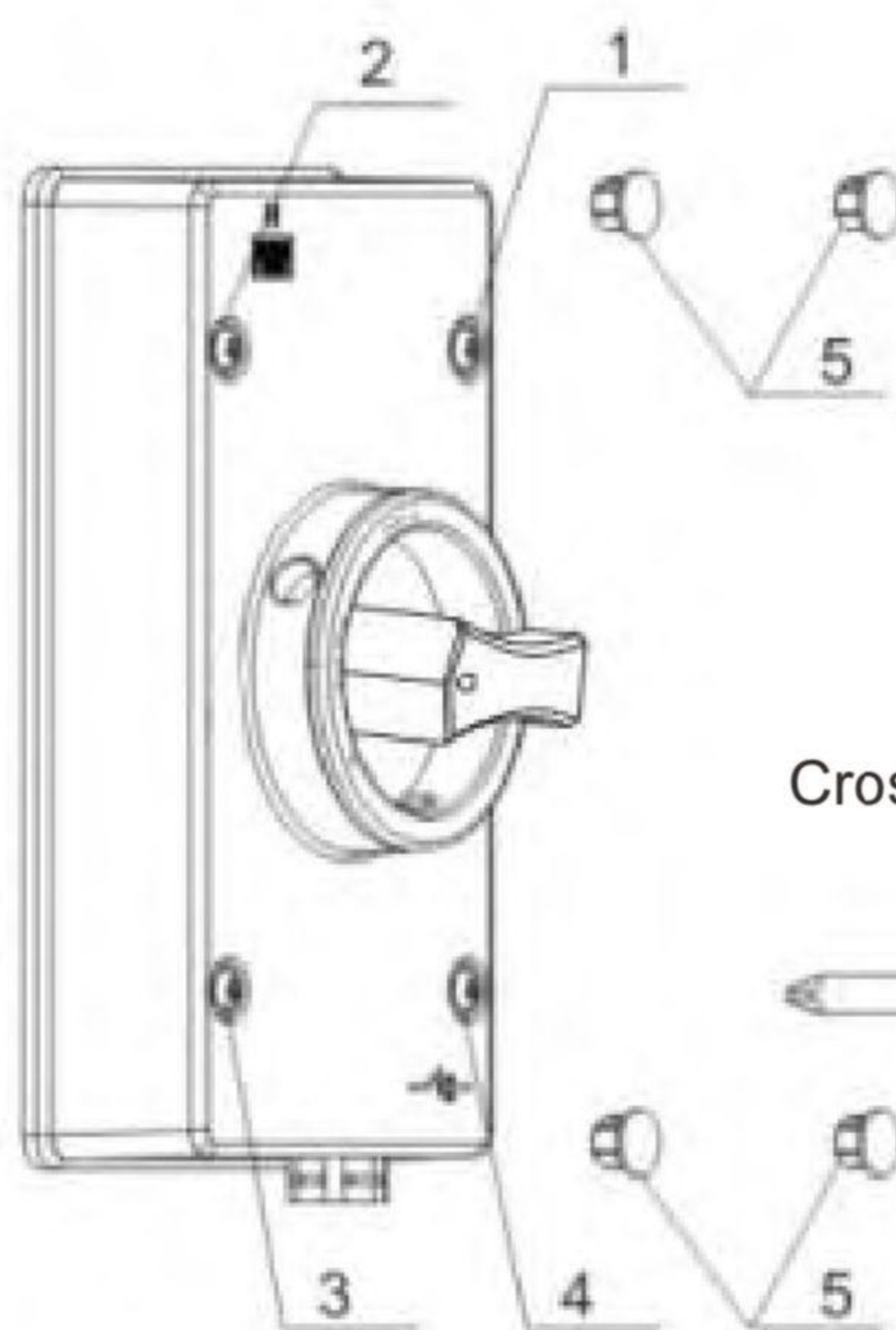
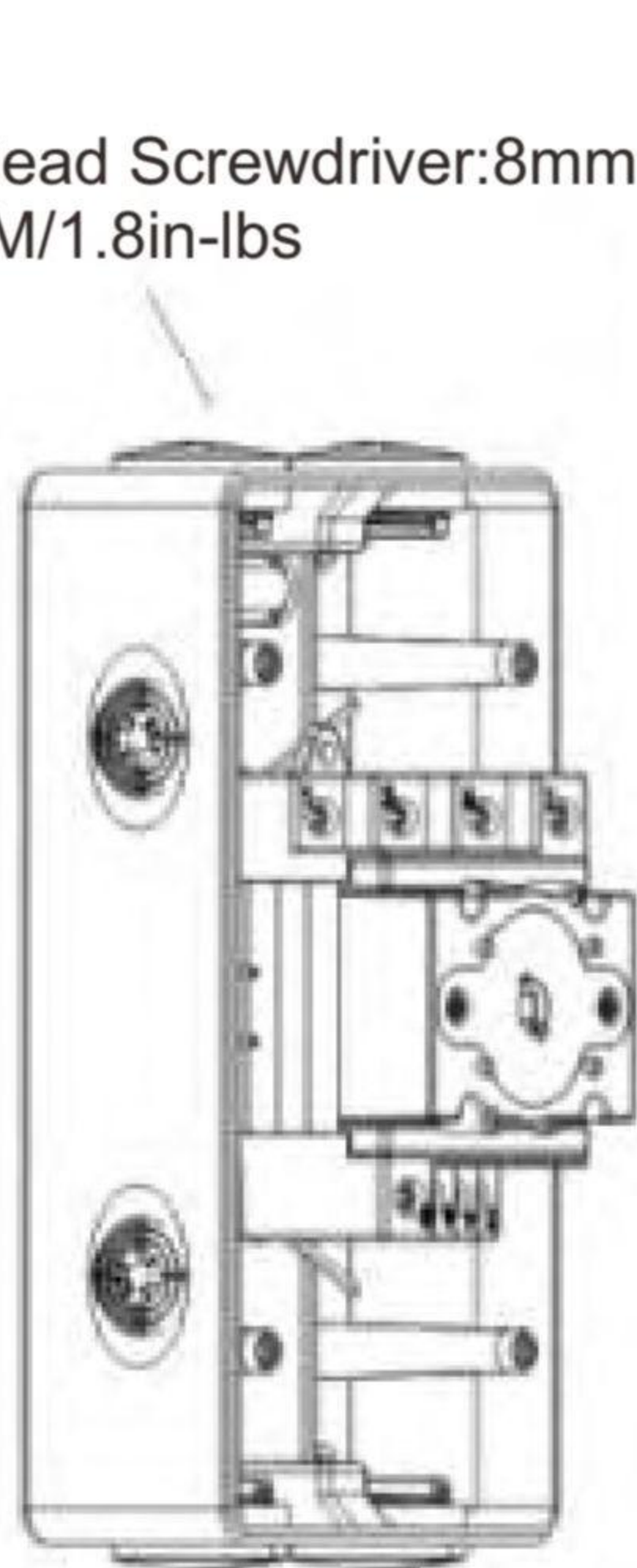


TOPV32-L1 DC Isoiator

Instructions for installation and operation

- Be sure number (1,3,5,7) on switch and "IP66NW" on cover are not inverted
- Rotate Handel to the "OFF" position and locate shaft into switch body.
- Tighten screw 1,3,2,4 IN THAT ORDER.
- Make sure that number(5) is assembled on cover

Flat Head Screwdriver:8mm
0.2N.M/1.8in-lbs

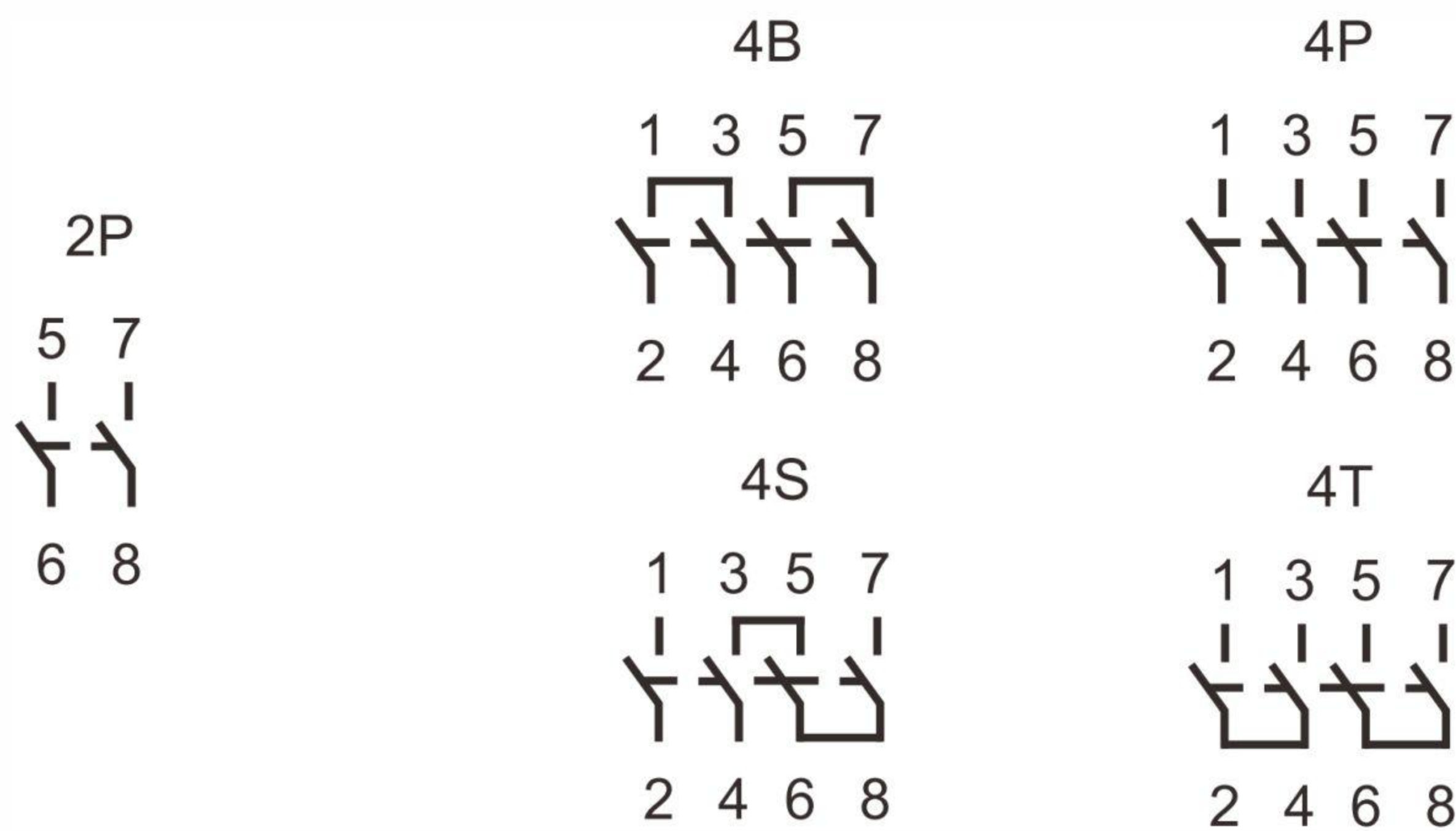


Cross screwdriver:PH2
1.5N.M/13.3in-lbs

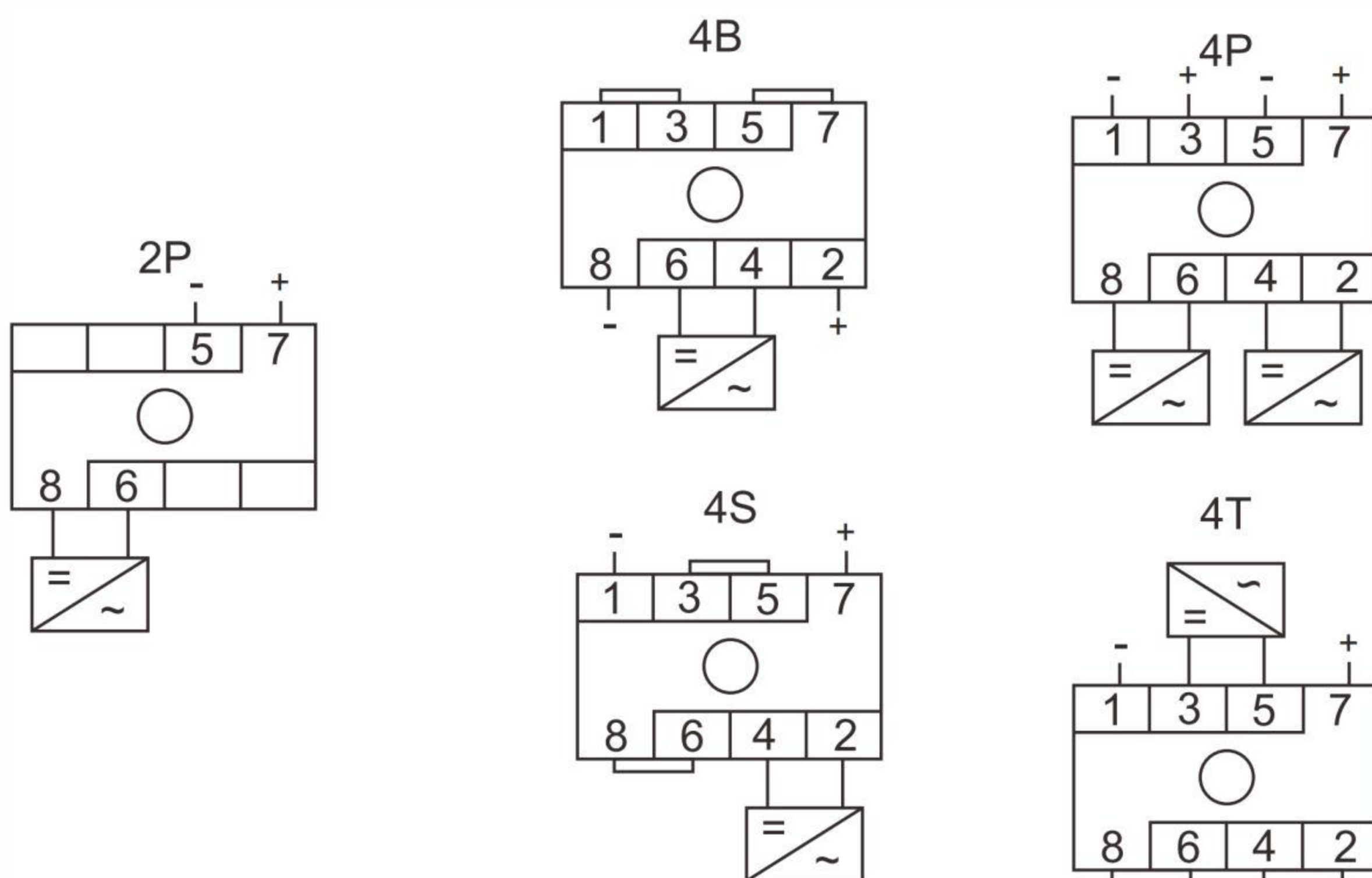


The switch with a box is suitable for outdoor use, the solar at 40° C=32A, the solar at 60° C=29A
Please note that all connections (including bridging link connections) should be tightening before energization.

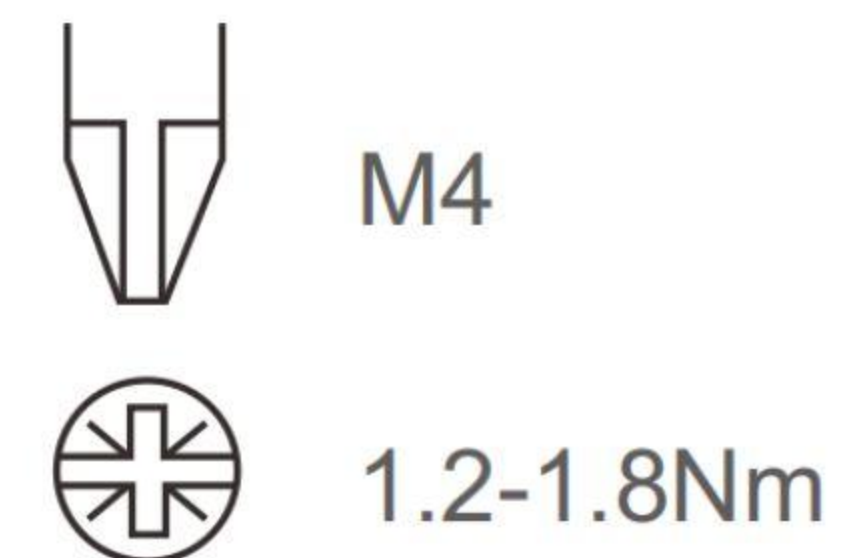
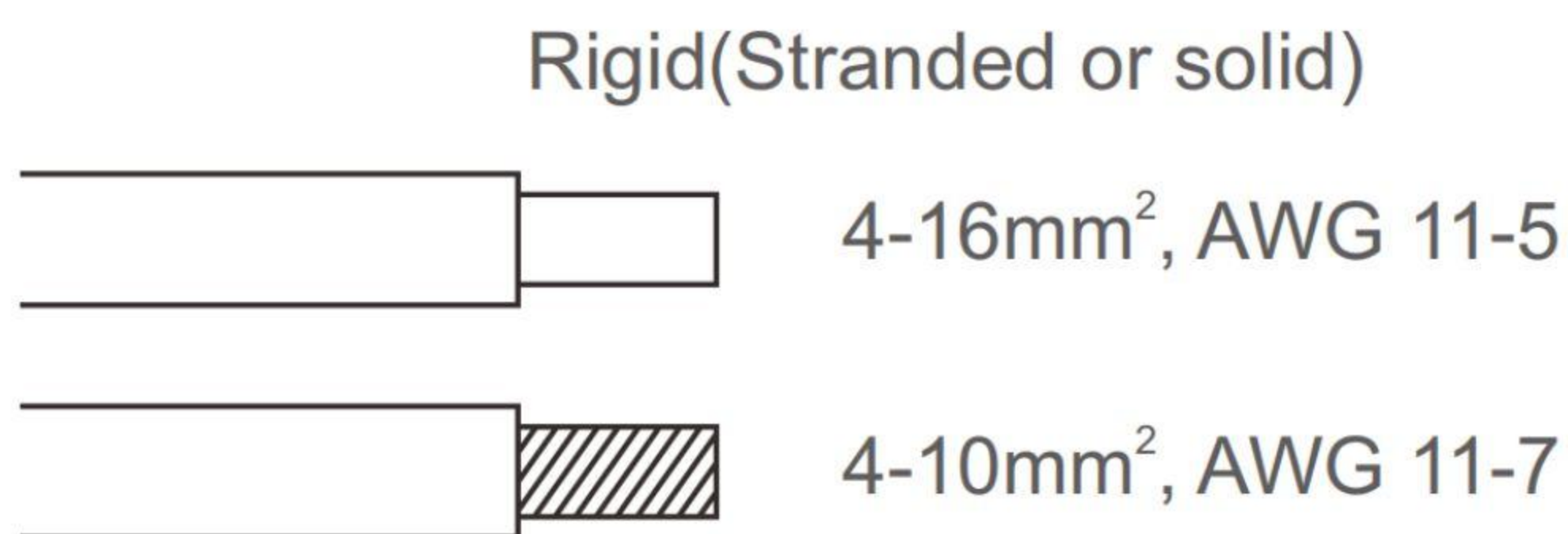
DC Switch Disconnecter for Photovoltaics Wiring diagram



Switch examples



Cable cross sections Screwdriver, Tightening torque



Mounting Type	Enclosure(IP66NW)	Vertically or Horizontally
	Switch body(IP20)	Vertically